

Decking Installation Guide



IMPORTANT: Read All Sections Before You Start

Materials and properties of WPC and wood have some differences, please process and use WPC adherence to the instructions strictly, otherwise possible product failure or personal injury would be caused. Any results caused by not complying with this instruction, Parkay will be not liable to.

If you have any questions or problems, please contact us at any time.

Safety

When dealing with any type of construction project, it is necessary to wear appropriate safety equipment to avoid any risk of injuries.

Tools

Standard carpentry tools: Power saws (desk top or portable), power drills, electric portable drill, tool kits, level, tape, plumb bob etc.



Environment

A clean, smooth, flat, and strong surface is needed to install Parkay Decking correctly.

If installation does not occur immediately, Parkay Decking needs to be put on a flat surface at all times.

Planning

Plan a layout for your decking before starting it to ensure the best possible looking decking for your project. We recommend drawing out a site plan of your proposed project that you intend to do to minimize errors and make your perfect decking.

Ventilation

Parkay Decking products CANNOT be directly installed onto a surface. It must be installed onto a substructure that is made into a frame. A minimum of 100 mm of continuous net free area under the decking surface is required for adequate ventilation on all decking. In case that installation is below 100mm, it is recommended to look up the maximum rainfall of the area to determine what height would need to be built to ensure no flooding of the deck occurs. If the rainfall is determined not to flood the deck, a slope of 1-2% must be used on the frame towards the direction of the drainage to ensure that there is no free standing water.

Fasteners

When fastening Parkay Decking, all screws that are face fastened should always be driven in at a 90 degree angle to the decking surface. Toe nailing/screwing should never be done to the products. An extra joist should be added if a 90 degree angle cannot be driven into the board as shown in Diagram 1.

All fasteners should be on their own independent joists, when two boards ends meet each other there must be a sister joist with a minimum of 5 mm between the sister joists. The end of each board must sit on its own joist as shown in Diagram 2.

All nails/screws that are face fixed should always be stainless steel. When face fixing, always go in at least from the ends and width of the board by 25.4 mm as shown in Diagram 3.

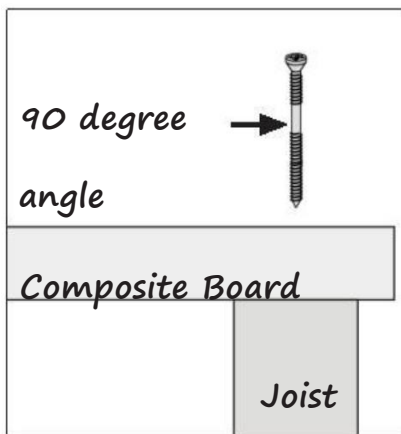


DIAGRAM 1

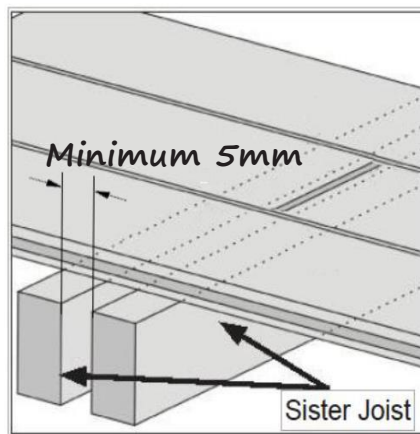


DIAGRAM 2

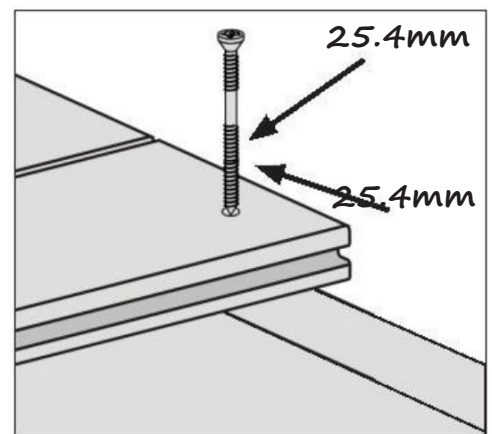


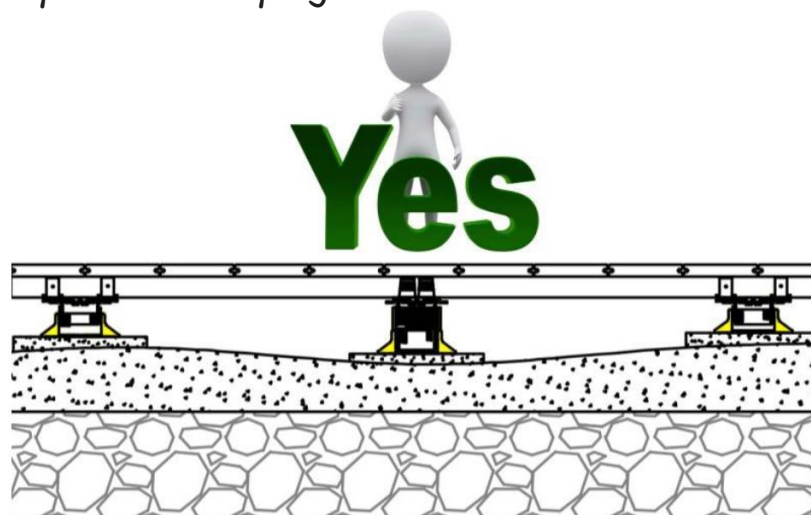
DIAGRAM 3



Parkay Decking products shown above put on a flat surface on joists, this is the correct way for storage.



Parkay Decking products shown above on an uneven surface which will make the products prone to warping and distortion.



Parkay Decking products shown above can be on pedestals or jacks if the surface is uneven. Consult with the pedestal or jack manufacturer before using the product to ensure its compatibility with Parkay Decking.

Framing

First, determine decking span, that is, how far apart your joists will be. The frame needs to be completely level before installing any boards.

Note: Adequate spacing in the joists is required to keep the decking boards from bending. Please review the chart below to see what spacing is required for your profile.

Please refer to the Chart 1: " Parkay Decking joist Span Chart" and Chart 2: "Parkay Decking Angle Accommodation Chart" to choose the span, but the Max span is not allowed to exceed 450mm. It may cause the decking bending down if the span is too big.



Chart 1 Parkay Decking joist Span Chart

<i>Type of Decking</i>	<i>Recommended Center-to-Center Span</i>	<i>Max Center-to-Center Span</i>
<i>Hollow Decking</i>	<i>12 times than decking thickness</i>	<i>14 times than decking thickness</i>
<i>Solid Decking</i>	<i>14 times than decking thickness</i>	<i>16 times than decking thickness</i>

Remark1: Please refer to Chart 1 if the decking is vertical to joist. Please see Chart 2 When the angle of decking board to joints likes Chart 2.

Remark 2: Special applications or unusual loading conditions – such as hot tub installation – may require shorter spans. In these cases, obtains an engineering analysis before installation.

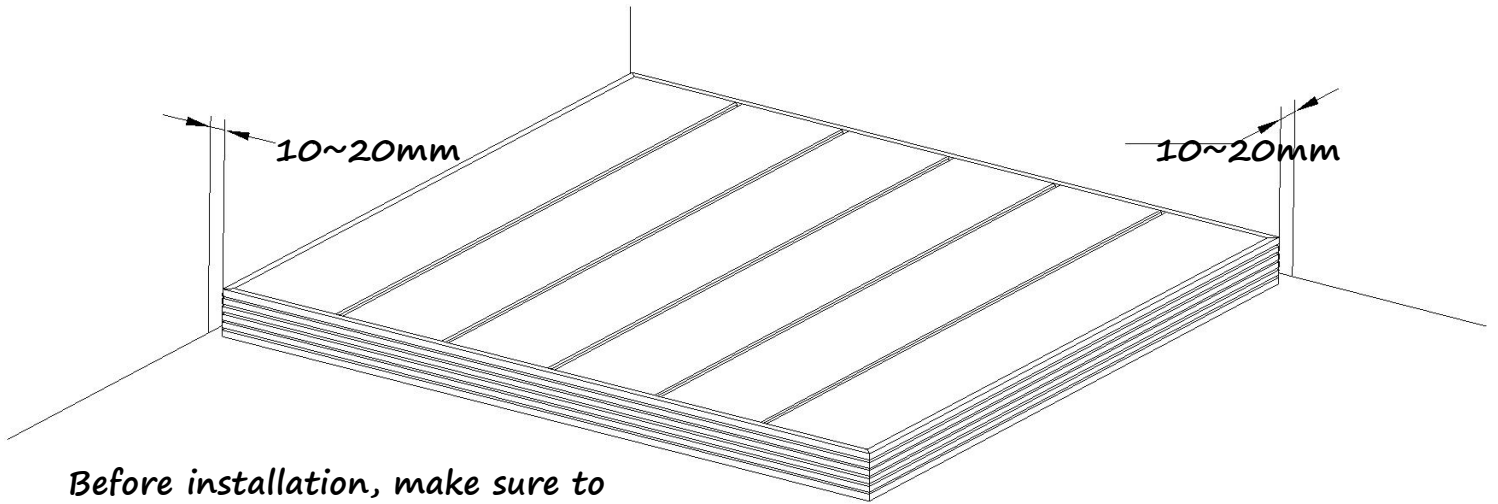
Chart 2: Parkay Decking Angle Accommodation Chart

<i>Angle/°</i>	<i>90</i>	<i>60</i>	<i>45</i>	<i>30</i>
<i>Span/cm</i>	<i>The same than Chart</i>	<i>50mm less than Chart 1</i>	<i>100mm less</i>	<i>Half of Chart 1</i>

Decking Installation

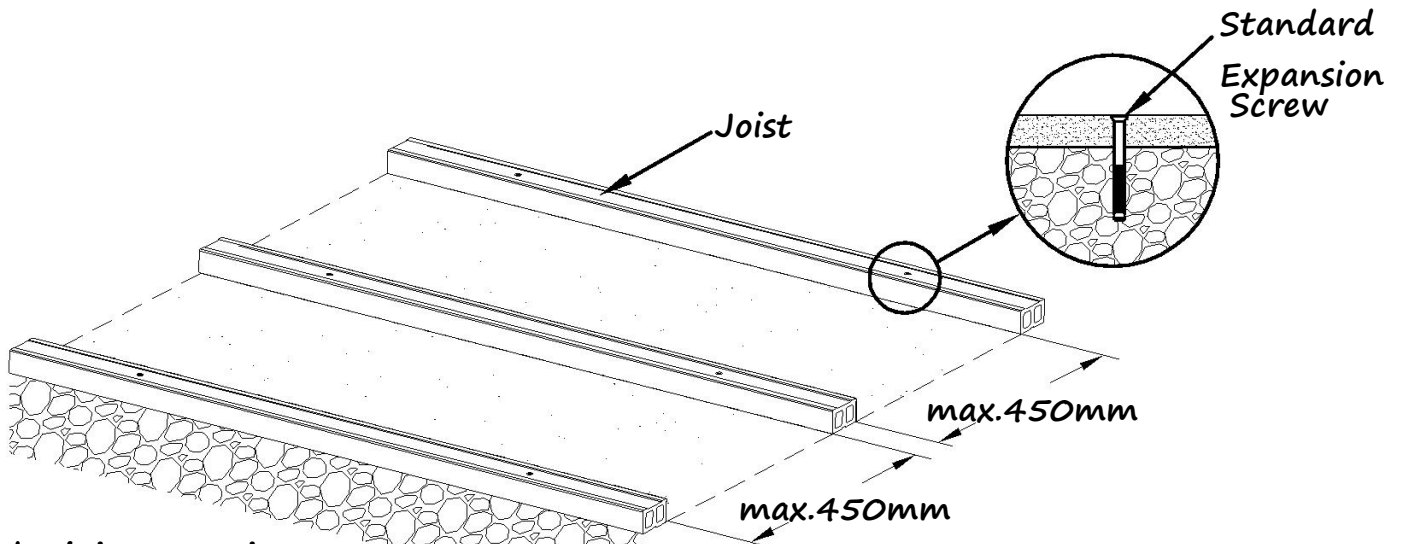
When installing the deck, the first and last board of your project will need to use a starting accessory. Every other board will use the hidden fastener for its installation.

Installation Guide



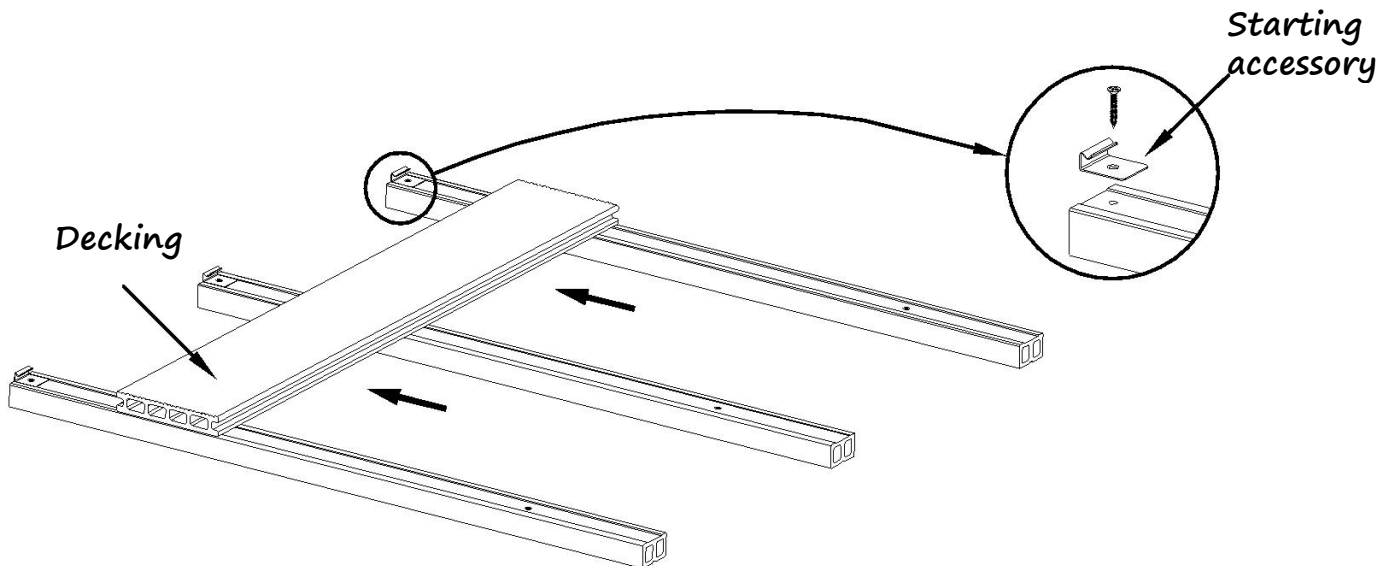
Before installation, make sure to leave 10~20mm space from buildings.

2.



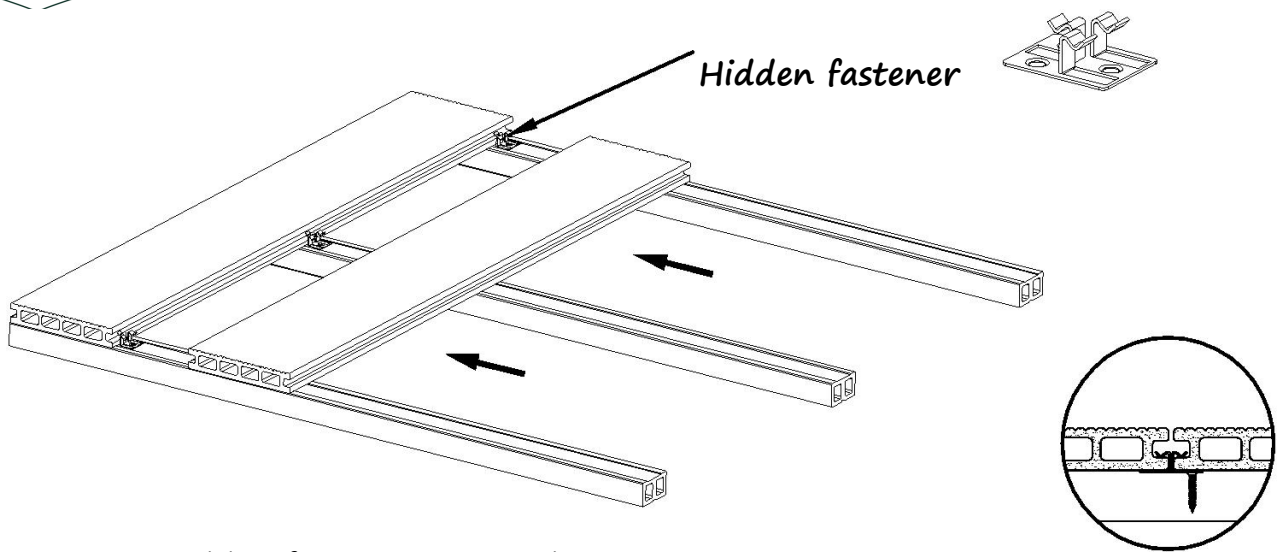
The joists span is recommend not larger than 450mm

3.



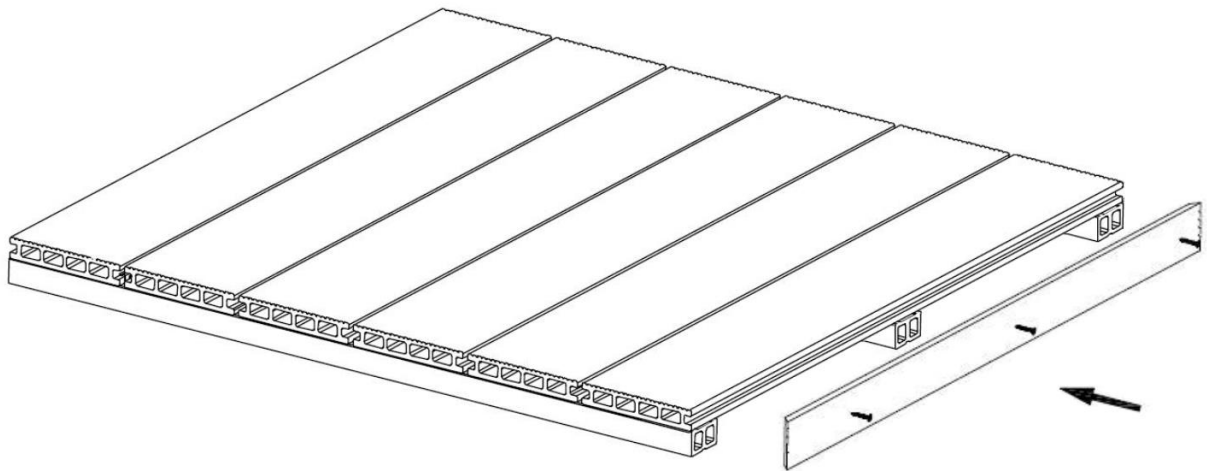
Push the decking to the starting accessory

4.



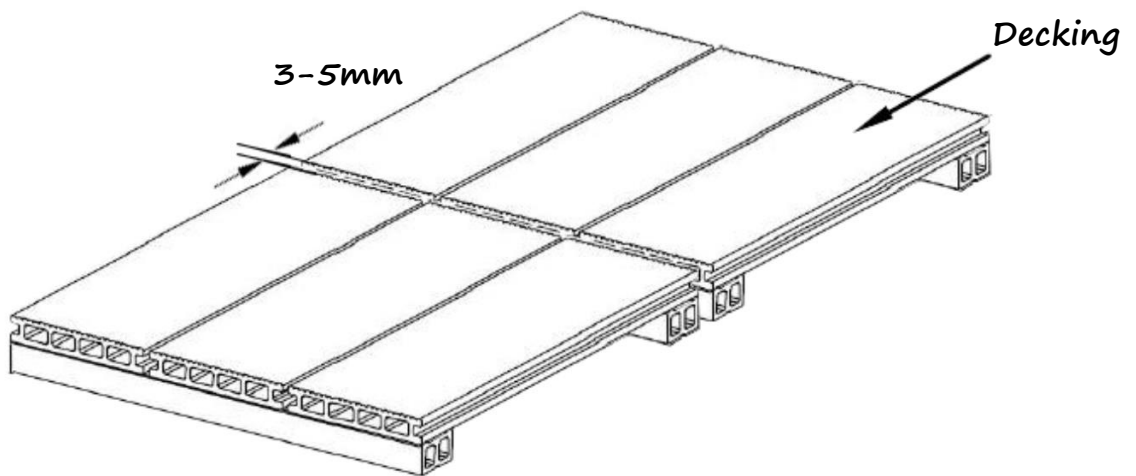
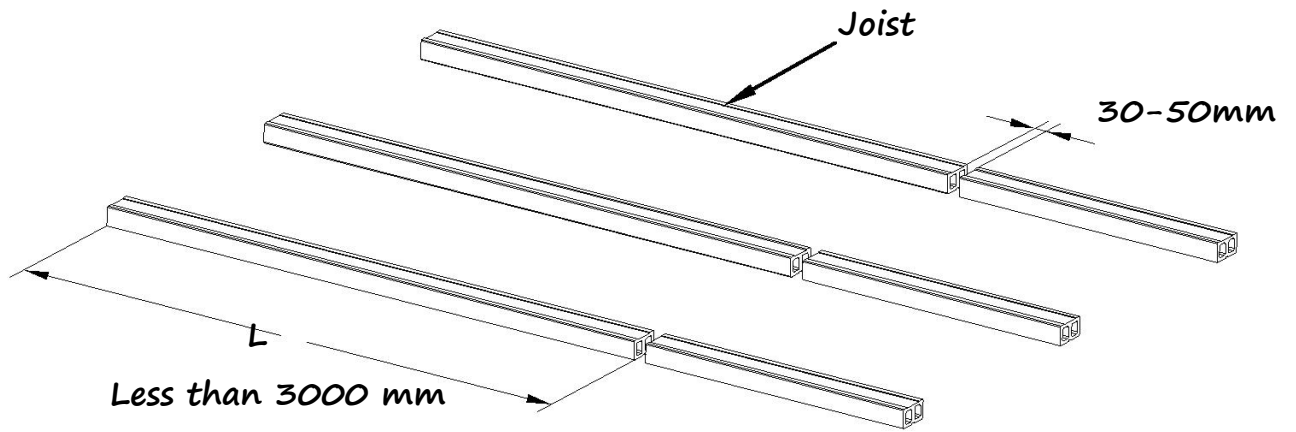
*Insert the hidden fastener to the decking,
fixed to the joist with screw, then push the next decking to the fastener.*

5.



Complete final installation with end covering.

Notice for WPC Installation:





Care and Cleaning

All exterior building materials require cleaning. Generally, household detergent (soap or dish-washing detergent) and water are all that is required to clean WPC products.

PROBLEM	SOLUTION
Dirt and Debris	Wash by clean water. Use soft bristle brush to remove dirt and debris with warm soapy water or detergent.
Wine stains	Wash by clean water and then use special decking detergent.
Ice and Snow	A plastic shovel may be used to remove snow from the deck. Use calcium chloride or rock salt to melt the snow and ice from the deck surface.
Oil stain	Wash the stain with water as fast as possible. Then Use soft bristle brush to remove dirt and debris with warm soapy water or detergent
Mold and Mildew	If debris such as pollen and dirt is allowed to remain on the deck surface, mold can feed on the biofilm. A regular cleaning is a must. Wash it with clean water and then Use soft bristle brush to remove dirt and debris with warm soapy water or detergent.
Rust	Use special decking detergent.



PARKAY
OUTDOOR
- SURFACES -